

EWA 10 // Power drive 50–90 Nm



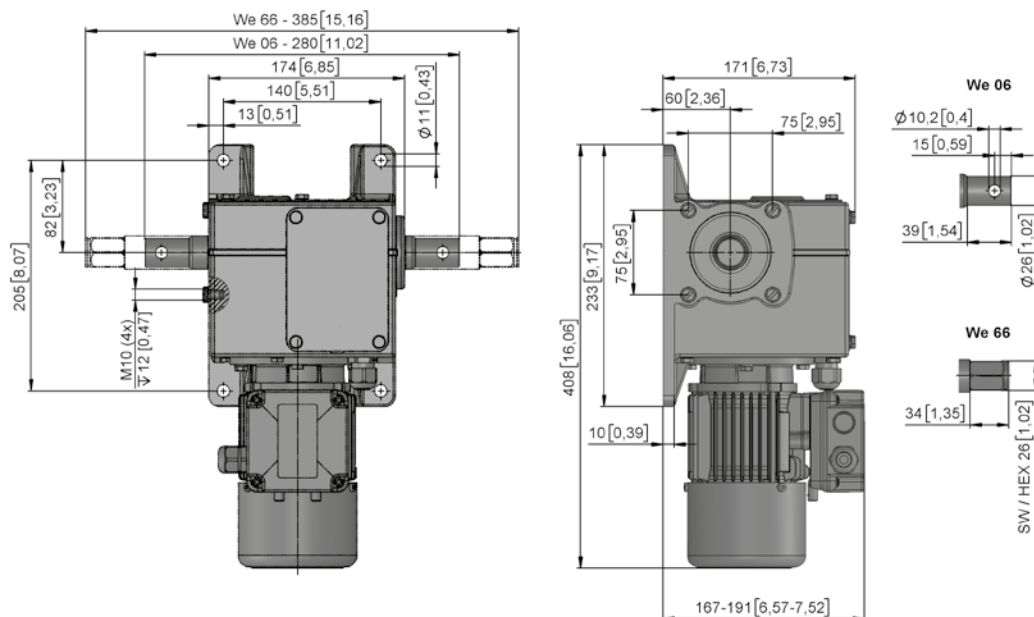
- Extremely quiet, self-locking worm gear units with long service life, zero-maintenance.
- Universal mounting with standard at back or optional on side left (symmetrical).
- Installed precision END 20 gear limit switch for 580 shaft revolutions (microswitch in cURus).
- Optional LSC 40.10 AC or DC control unit incl. additional limit switch. Wire up using a 7-core cable.
- Quality motors with multi-range voltage (IEC 38) for 50 Hz (400 V 3- // 230 V 1-). IP55, Th.Cl.F, S3-40 %.
- A coil protection contact is integrated in all single-phase motors. Turnkey with cable.
- Round shaft We 06, 90 Nm version also available with hex shaft We 66.

Options when using the END 20.20:

- On 60 Hz versions, the END 20.40 additional limit switch is standard equipment.
- Additional limit switch END 20.40.
- Position sensor PAR 06 or PAR 10.

Options when using LSC 40.10:

- LPR 02 position sensor for analogue signal, LPR 04 for digital signal.



mm [inch]

EWA 10

50–90 Nm



Version	We 06	We 66	T [Nm]	n [1/min]	I [A]	P [kW]	m We 06 [kg]	m We 66 [kg]
	Type no.	Type no.						
400 V 3~, 50 Hz								
EWA 10.0505	12210.0505.06	-	50	5,6	0,6	0,24	15,7	-
EWA 10.0905	12210.0905.06	12210.0905.66	90	5,6	0,7	0,29	15,7	16,4
230 V 1~, 50 Hz								
EWA 10.0505	12210.0505.0620	-	50	5,9	1,30	0,28	18,4	-
EWA 10.0905	12210.0905.0620	12210.0905.6620	90	5,9	1,50	0,33	18,3	19,0
24 VDC								
EWA 10.0505	12210.0505.0640	-	35	4,2	4,00	0,10	16,5	-