

## EWA 12 // Power drive

### 150–250 Nm



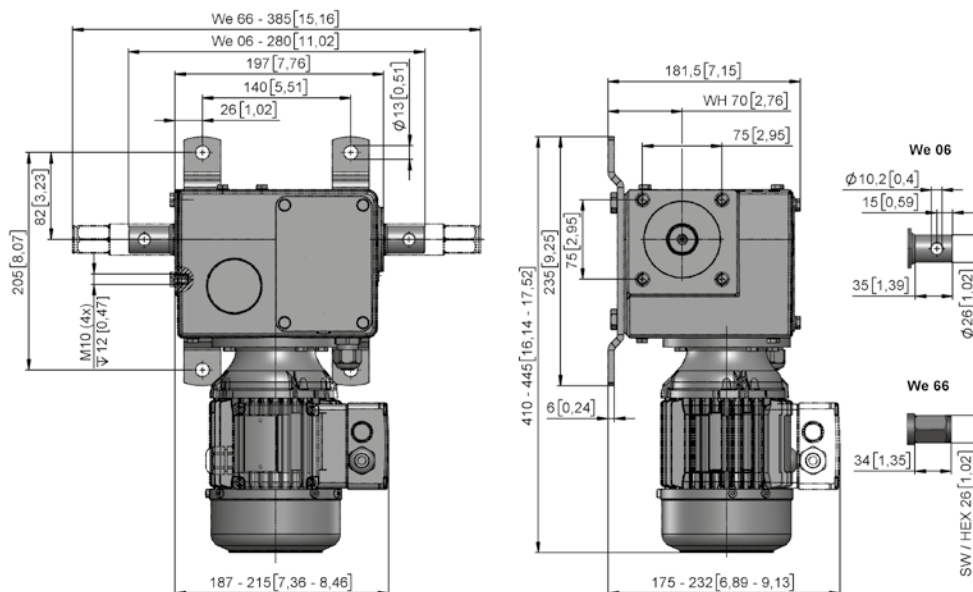
- Extremely quiet, self-locking double worm gear unit, long service life, zero maintenance.
- Universal mounting with standard at back or optional on side left (symmetrical)! Removable feet.
- Installed precision END 20 gear limit switch for 580 shaft revolutions (microswitch in cURus).
- Optional LSC 40.10 AC or DC control unit incl. additional limit switch. Wire up using a 7-core cable.
- Quality motors with multi-range voltage (IEC 38) for 50 Hz (400 V 3~ // 230 V 1~) and 60 Hz (208 V 3~ // 480 V 3~ as well as 120 V 1~ and 240 V 1~ in cURus). IP55, Th.Cl.F, S3-40 %.
- Coil protection contact integrated on all single-phase motors. Turnkey with cable.
- All versions available with hex shaft We 66 or round shaft We 06.

#### Options when using the END 20.20:

- On 60 Hz versions, the END 20.40 additional limit switch is standard equipment.
- Additional limit switch END 20.40.
- Position sensor PAR 06 or PAR 10.

#### Options when using LSC 40.10:

- LPR 02 position sensor for analogue signal, LPR 04 for digital signal.



mm [inch]



Version	We 06	We 66	T [Nm]	n [1/min]	I [A]	P [kW]	m We 06 [kg]	m We 66 [kg]
	Type no.	Type no.						
<b>24 VDC</b>								
EWA 12.0505	12212.0505.0640	-	50	4,4	7,50	0,18	19,6	-
EWA 12.0903	12212.0903.0640	-	90	3,2	8,50	0,20	19,5	-
EWA 12.1501	12212.1501.0640	-	150	1,6	9,40	0,23	19,5	-
EWA 12.2501	12212.2501.0640	-	250	1,6	11,00	0,26	19,5	-
<b>380 V 3~, 50 Hz CCC</b>								
EWA 12.2503	-	12212.2503.6647	250	3,2	1,0	0,38	-	21,1
EWA 12.2505	-	12212.2505.6647	250	4,4	1,1	0,49	-	20



Version	We 66	We 19	T [Nm]	T [in.-lb]	n [1/min]	I [A]	P [kW]	m We 06 [kg]	m We 66 [kg]
	Type no.	Type no.							
<b>600 V 3~, 60 Hz, cURus</b>									
EWA 12.2505		12212.2505.6668	250	2200	5,3	1,1	0,66		21,1