

EWA 50 // PowerDrive 50–150 Nm



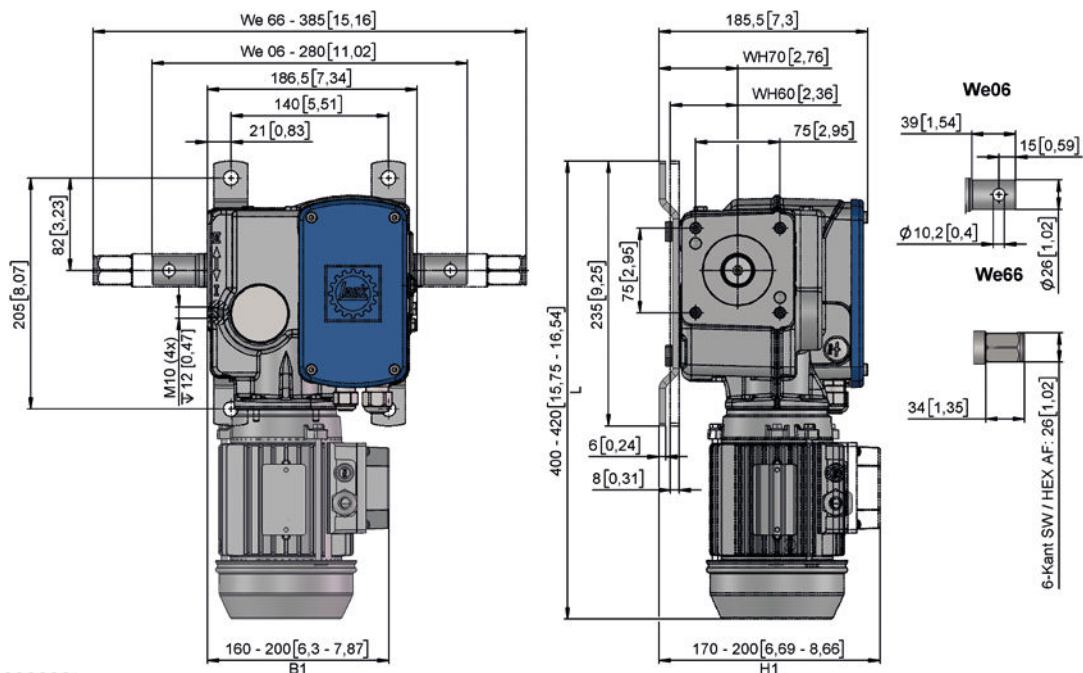
- Extremely quiet, self-locking double worm gear unit with integrated limit switch control and with long service life, zero maintenance.
- Universal assembly with standard mounting at back or on side left (symmetrical).
- Standard mounting with 70 mm center distance brackets or optional 60 mm.
- Limit switch control, including auxiliary limit switch, via control unit LSC 40 AC/DC. Optional mechanical limit switch END 20 for up to 580 shaft rotations.
- High quality motors available in a wide variety of voltages.
- Pre-wired single phase motors supplied with power cord and thermal overload protection.
- Ambient temperature -5 °C to $+60\text{ °C}$, A60 version for low temperature applications below -5 °C .
- Protection class IP55.
- Duty Cycle S3-40 %.
- Interchangeable with EWA 10/12.

Options when using LSC 40.10:

- Position repeater LPR 02 for analog signal 0 – 10V or 4 – 20 mA, LPR 04 for digital signal (incremental).

Options when using END 20:

- Auxiliary limit switch END 20.40
- Position repeater PAR 06 (potentiometer) or PAR 10 (0 – 10V).



mm [inch]

EWA 50

50–150 Nm



Version	We 06	We 66	T [Nm]	n [1/min]	I [A]	P [kW]	m We 06 [kg]	m We 66 [kg]
	Type no.	Type no.						
400 V 3~, 50 Hz								
EWA 50.0503	12508.0503.12	12508.0503.32	50	2,6	0,40	0,19	18,4	19,1
EWA 50.0505	12508.0505.12	12508.0505.32	50	4,5	0,45	0,22	18,4	19,1
EWA 50.0903	12508.0903.12	12508.0903.32	90	2,6	0,45	0,23	18,4	19,1
EWA 50.0905	12508.0905.12	12508.0905.32	90	4,5	0,90	0,33	18,4	19,1
EWA 50.1503	12508.1503.12	12508.1503.32	150	2,6	0,90	0,39	18,4	19,1
EWA 50.1505	12508.1505.12	12508.1505.32	150	4,5	0,94	0,46	18,4	19,1
230 V 1~, 50 Hz								
EWA 50.0503	12508.0503.11	12508.0503.31	50	2,6	1,40	0,30	18,6	19,3
EWA 50.0505	12508.0505.11	12508.0505.31	50	4,5	1,50	0,32	18,6	19,3
EWA 50.0903	12508.0903.11	12508.0903.31	90	2,6	1,50	0,32	18,6	19,3
EWA 50.0905	12508.0905.11	12508.0905.31	90	4,5	1,70	0,38	19,4	20,1
EWA 50.1503	12508.1503.11	12508.1503.31	150	2,6	1,70	0,34	19,4	20,1
EWA 50.1505	12508.1505.11	12508.1505.31	150	4,5	2,80	0,62	19,5	20,2
380 V 3~, 50 Hz, CCC								
EWA 50.0503	–	12508.0503.3705	50	2,6	0,60	0,24	19,3	–
EWA 50.0505	–	12508.0505.3705	50	4,5	0,60	0,25	19,3	–
EWA 50.0903	–	12508.0903.3705	90	2,6	0,60	0,26	19,3	–
EWA 50.0905	–	12508.0905.3705	90	4,5	0,80	0,38	19,8	–
EWA 50.1503	–	12508.1503.3705	150	2,6	0,80	0,38	19,8	–
EWA 50.1505	–	12508.1505.3705	150	4,5	0,90	0,46	19,8	–



We 06								
Version	Type no.	T [Nm]	T [in.-lb]	n [1/min]	I [A]	P [kW]	m We 06 [kg]	
120 V 1~, 60 Hz, cURus Motor								
EWA 50.0503	12508.0503.13	50	450	3,2	2,80	0,33	20,2	
EWA 50.0505	12508.0505.13	50	450	5,4	2,90	0,34	20,2	
EWA 50.0903	12508.0903.13	90	800	3,2	3,00	0,35	20,2	
EWA 50.0905	12508.0905.13	90	800	5,4	3,70	0,44	20,4	
EWA 50.1503	12508.1503.13	150	1300	3,2	3,60	0,43	20,4	
240 V 1~, 60 Hz, cURus Motor								
EWA 50.0503	12508.0503.14	50	450	3,2	1,50	0,35	18,8	
EWA 50.0505	12508.0505.14	50	450	5,4	1,60	0,37	18,8	
EWA 50.0903	12508.0903.14	90	800	3,2	1,60	0,37	18,8	
EWA 50.0905	12508.0905.14	90	800	5,4	2,00	0,46	20,2	
EWA 50.1503	12508.1503.14	150	1300	3,2	2,00	0,46	20,2	
208 V 3~, 60 Hz, cURus Motor								
EWA 50.0503	12508.0503.15	50	450	3,2	0,80	0,22	18,2	
EWA 50.0505	12508.0505.15	50	450	5,4	1,00	0,26	18,8	
EWA 50.0903	12508.0903.15	90	800	3,2	1,00	0,27	18,8	
EWA 50.0905	12508.0905.15	90	800	5,4	1,20	0,34	18,8	
EWA 50.1503	12508.1503.15	150	1300	3,2	1,20	0,33	18,8	
480 V 3~, 60 Hz, cURus Motor								
EWA 50.0503	12508.0503.16	50	450	3,2	0,45	0,21	18,2	
EWA 50.0505	12508.0505.16	50	450	5,4	0,50	0,24	18,2	
EWA 50.0903	12508.0903.16	90	800	3,2	0,50	0,27	18,2	
EWA 50.0905	12508.0905.16	90	800	5,4	0,70	0,33	18,8	
EWA 50.1503	12508.1503.16	150	1300	3,2	0,70	0,34	18,8	