

## EZW 64 // Power racks 5000–20000 N

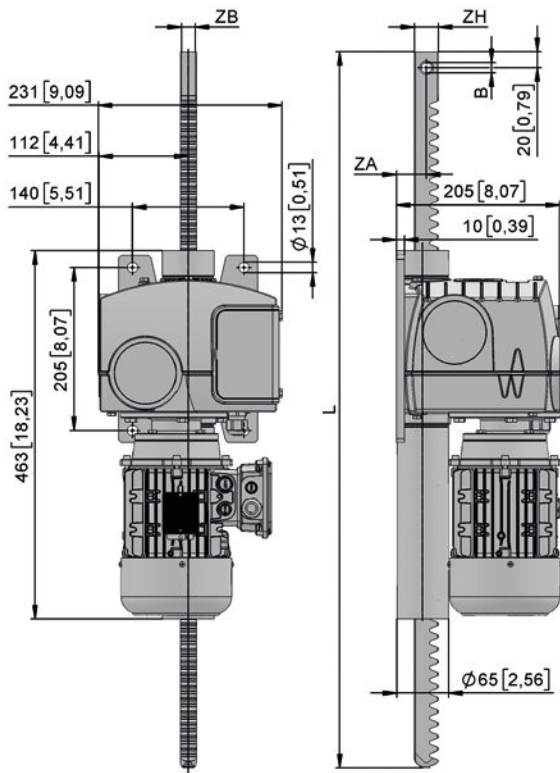


- Adjusting drive suitable for traction and compression loadings. Cast iron housing with self-locking double worm gear unit and gear rack.
- Installed precision END 20 gear limit switch (microswitch in cURus), infinitely variable.
- Quality motors, multi-range voltage [IEC 38] for 50 Hz (400 V 3~/230 V 1~). IP 55, TH.CL.F, S3 - 40 %, special motors on request.
- Standard stroke lengths H = 600 mm, = 800 mm, =1000 mm, = 1200 mm, etc.. Above stroke length 1500 mm (EZW 64.05), resp. 1700 mm (EZW 64.10 and EZW 64.20) pls. note reduced compression force.
- Suitable temperature range from -5 to +60°C.
- Emergency operation possible by using power screwdriver in case of power failure.
- Protective tube with cover and gaiter available as accessory.

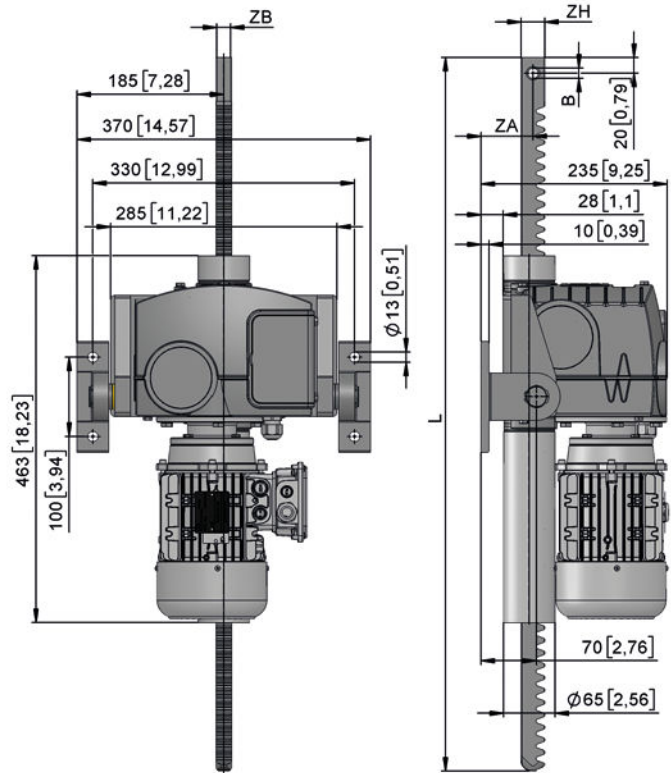
### Option:

- Torque-free pivot console (EZW 64 Swing) for pivoting movements.
- END 20.40 auxiliary limit switch.
- PAR 06 or PAR 10 position repeater.
- Version A60 for outdoor use and temperatures down to -15°C.
- Version for 30000N load capacity and stroke speed of 250mm/min available on request.
- For replacement with old EZW 35-37 drives a baseplate with identical hole pattern is available.

EZW 64 Basic

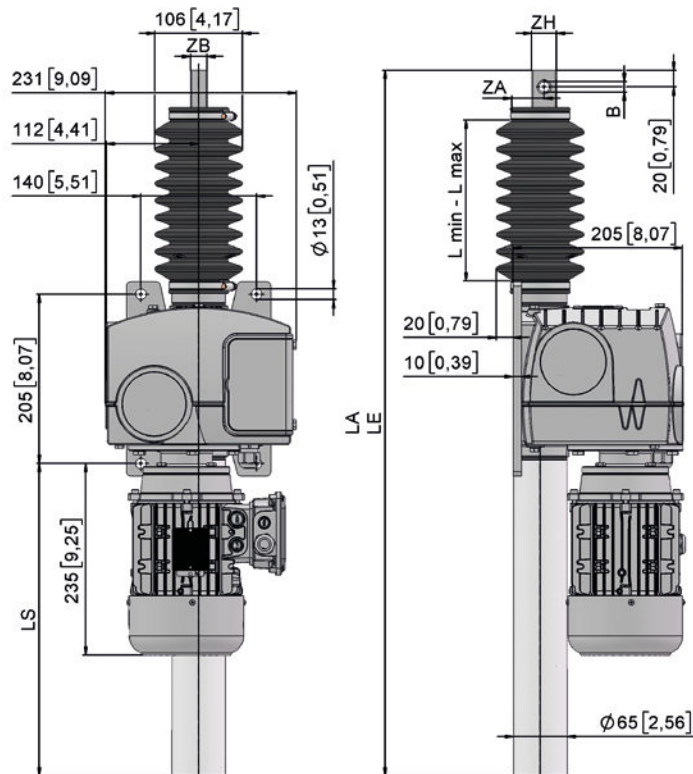


EZW 64 Swing



Accessories:

EZW 64 with protective tube incl. cover and gaiter.



mm [inch]

# EZW 64 // Drive unit

## 5000–20000 N



EZW 64 Basic



EZW 64 Swing

→ Table Part 1 of 3

Version	Basic	Swing	F [N]	v [mm/min]	I [A]	P [kW]	ZA Basic [mm]	ZA Swing [mm]	m Basic [kg]	m Swing [kg]
	Type no.	Type no.								
<b>400 V 3~, 50 Hz</b>										
EZW 64.0502	11264.0502.10	11264.0502.20	5000	250	1,1	0,63	38,0	66,0	32,2	36,8
EZW 64.0504	11264.0504.10	11264.0504.20	5000	450	1,2	0,69	38,0	66,0	32,2	36,8
EZW 64.0506	11264.0506.10	11264.0506.20	5000	600	1,3	0,75	38,0	66,0	32,3	36,9
EZW 64.1002	11264.1002.10	11264.1002.20	10000	250	1,2	0,69	35,0	63,0	32,2	36,8
EZW 64.1004	11264.1004.10	11264.1004.20	10000	450	1,3	0,75	35,0	63,0	32,2	36,8
EZW 64.1006	11264.1006.10	11264.1006.20	10000	600	1,4	0,81	35,0	63,0	32,3	36,9
EZW 64.2002	11264.2002.10	11264.2002.20	20000	250	1,3	0,75	33,0	61,0	32,2	36,8
EZW 64.2004	11264.2004.10	11264.2004.20	20000	450	1,6	0,92	33,0	61,0	32,2	36,8
EZW 64.2006	11264.2006.10	11264.2006.20	20000	600	1,8	1,04	33,0	61,0	32,3	36,9
<b>230 V 1~, 50 Hz</b>										
EZW 64.0502	11264.0502.1020	11264.0502.2020	5000	250	2,6	0,57	38,0	66,0	33,3	37,9
EZW 64.0504	11264.0504.1020	11264.0504.2020	5000	450	2,7	0,60	38,0	66,0	33,3	37,9
EZW 64.0506	11264.0506.1020	11264.0506.2020	5000	600	2,9	0,64	38,0	66,0	33,4	38,0
EZW 64.1002	11264.1002.1020	11264.1002.2020	10000	250	2,8	0,62	35,0	63,0	33,3	37,9
EZW 64.1004	11264.1004.1020	11264.1004.2020	10000	450	3,1	0,68	35,0	63,0	33,3	37,9
EZW 64.1006	11264.1006.1020	11264.1006.2020	10000	600	3,3	0,73	35,0	63,0	33,4	38,0
EZW 64.2002	11264.2002.1020	11264.2002.2020	20000	250	3,3	0,73	33,0	61,0	33,3	37,9

# EZZ 64 // Racks

## 5000–20000 N



→ Table Part 2 of 3

Version	Type no.	H [mm]	L [mm]	ZH [mm]	ZB [mm]	B [mm]	m [kg]
<b>5000 N</b>							
EZZ 64.0506	11264.0597.06	600	900	30	20	13,0	3,5
EZZ 64.0508	11264.0597.08	800	1100	30	20	13,0	4,3
EZZ 64.0510	11264.0597.10	1000	1300	30	20	13,0	5,1
EZZ 64.0512	11264.0597.12	1200	1500	30	20	13,0	5,8
<b>10000 N</b>							
EZZ 64.1006	11264.1097.06	600	900	35	25	16,5	5,2
EZZ 64.1008	11264.1097.08	800	1100	35	25	16,5	6,4
EZZ 64.1010	11264.1097.10	1000	1300	35	25	16,5	7,5
EZZ 64.1012	11264.1097.12	1200	1500	35	25	16,5	8,7
<b>20000 N</b>							
EZZ 64.2006	11264.2097.06	600	900	40	30	16,5	7,3
EZZ 64.2008	11264.2097.08	800	1100	40	30	16,5	8,9
EZZ 64.2010	11264.2097.10	1000	1300	40	30	16,5	10,5
EZZ 64.2012	11264.2097.12	1200	1500	40	30	16,5	12,2

# Accessories



EZZ 64.9810

→ Table Part 3 of 3

Version	Type no.	H [mm]	LS [mm]	LA [mm]	LE [mm]	Info	m [kg]
EZZ 64.9810	11264.9810.0003	600	700	1550	950	Protective tube with cover	0,9
EZZ 64.9810	11264.9810.0004	800	900	1950	1150	Protective tube with cover	1,2
EZZ 64.9810	11264.9810.0005	1000	1100	2350	1350	Protective tube with cover	1,5
EZZ 64.9810	11264.9810.0006	1200	1300	2750	1550	Protective tube with cover	1,8

# Accessories



EZZ 64.9820

→ Table Part 3 of 3

Version	Type no.	L min / L max [mm]	Info	m [kg]
<b>For 5000 N rack</b>				
EZZ 64.9820	11264.9820.0001	200-1000	Gaiter	1,1
EZZ 64.9820	11264.9820.0002	280-1450	Gaiter	1,5
<b>For 10000 N rack</b>				
EZZ 64.9821	11264.9821.0001	200-1000	Gaiter	1,1
EZZ 64.9821	11264.9821.0002	280-1450	Gaiter	1,5
<b>For 20000 N rack</b>				
EZZ 64.9822	11264.9822.0001	200-1000	Gaiter	1,1
EZZ 64.9822	11264.9822.0002	280-1450	Gaiter	1,5