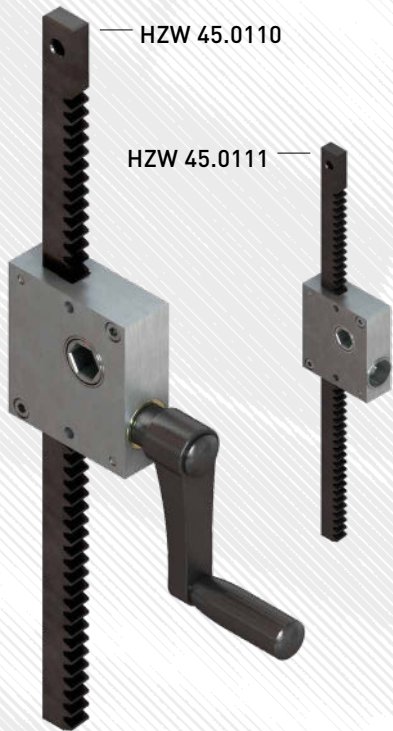


HZW 45 // Manual rack winch 1000 N



- Manual rack winches for raising, lowering, adjusting and securing components, devices, machines and ventilation systems.
- Compact design ideal for small installation spaces.
- Smooth action, self-locking worm gear drives.
- Aluminium housing, milled gearbox components made of steel, wearing parts hardened, robust precision design.
- Loadable in tension and compression.
- Standard stroke length 200–800 mm. Other stroke lengths on request.

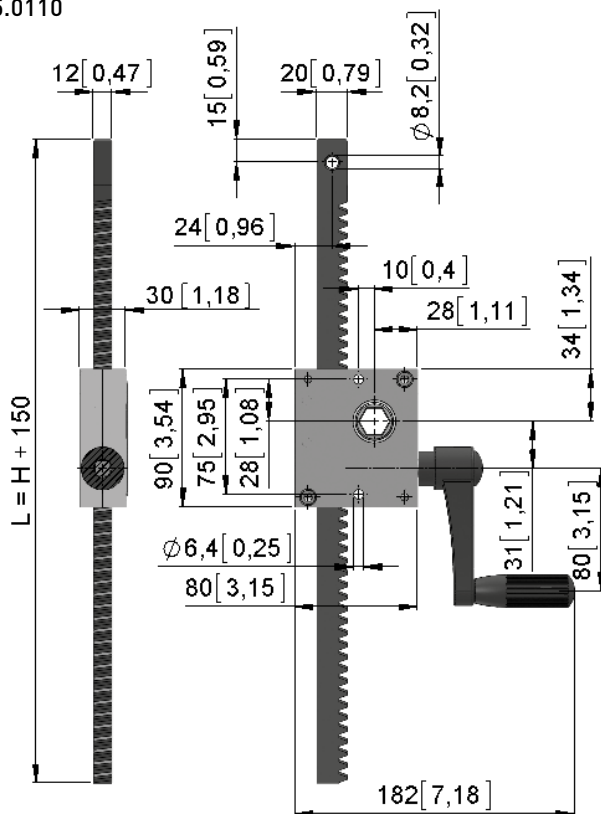
Versions:

- HZW 45.0111: can be driven synchronously with HZW 45.0110 Version HZW 45.0111 (without self-locking action). Total load 1000 N, connection with hex profile, waf 17.

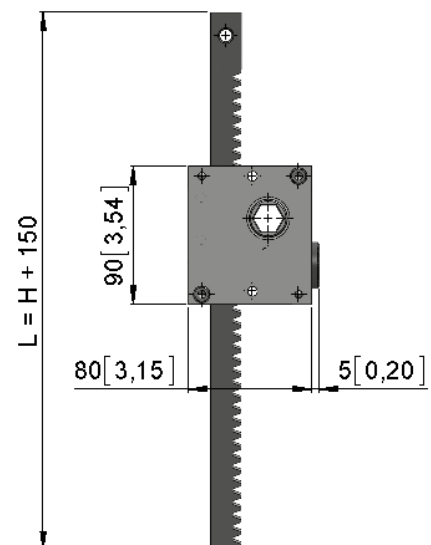
Option:

- Rack guard.

HZW 45.0110



HZW 45.0111



HZW 45 // Gear unit

1000 N



Version	Type no.	F [N]	H _k [mm/n]	F _H [N]	m [kg]
HZW 45.0110	51145.0110.00	1000	7,85	75	1,4
HZW 45.0111	51145.0111.00	1000	117,8	-	1,2

HZZ 45 // Racks

1000 N



Option:
Rack guard



Version	Type no.	F [N]	H [mm]	L [mm]	m [kg]
HZZ 45.0102	51145.0197.02	1000	200	350	0,7
HZZ 45.0104	51145.0197.04	1000	400	550	0,9
HZZ 45.0106	51145.0197.06	1000	600	750	1,2
HZZ 45.0108	51145.0197.08	1000	800	950	1,5

Option

Version	Type no.	F [N]	H [mm]	L [mm]	m [kg]
HZZ 45.0198	51145.0197.9801	-	-	-	0,1